

4

3

2

1

D

D

C

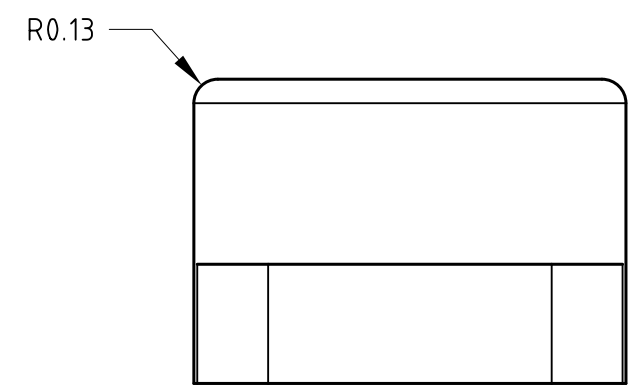
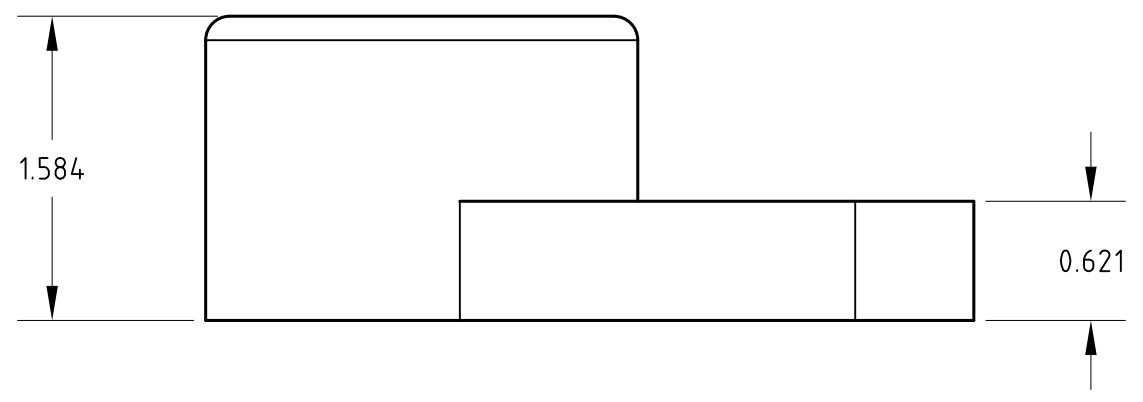
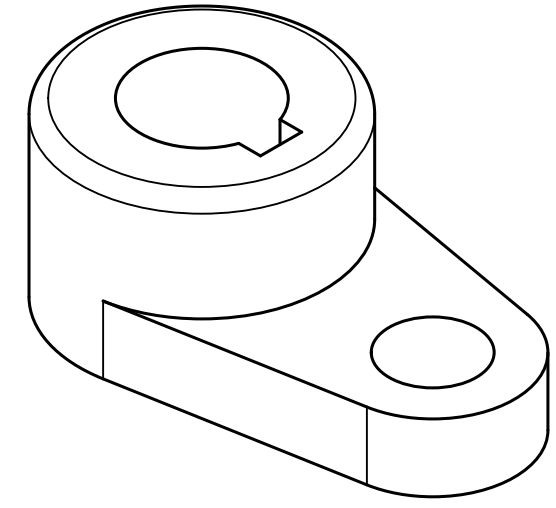
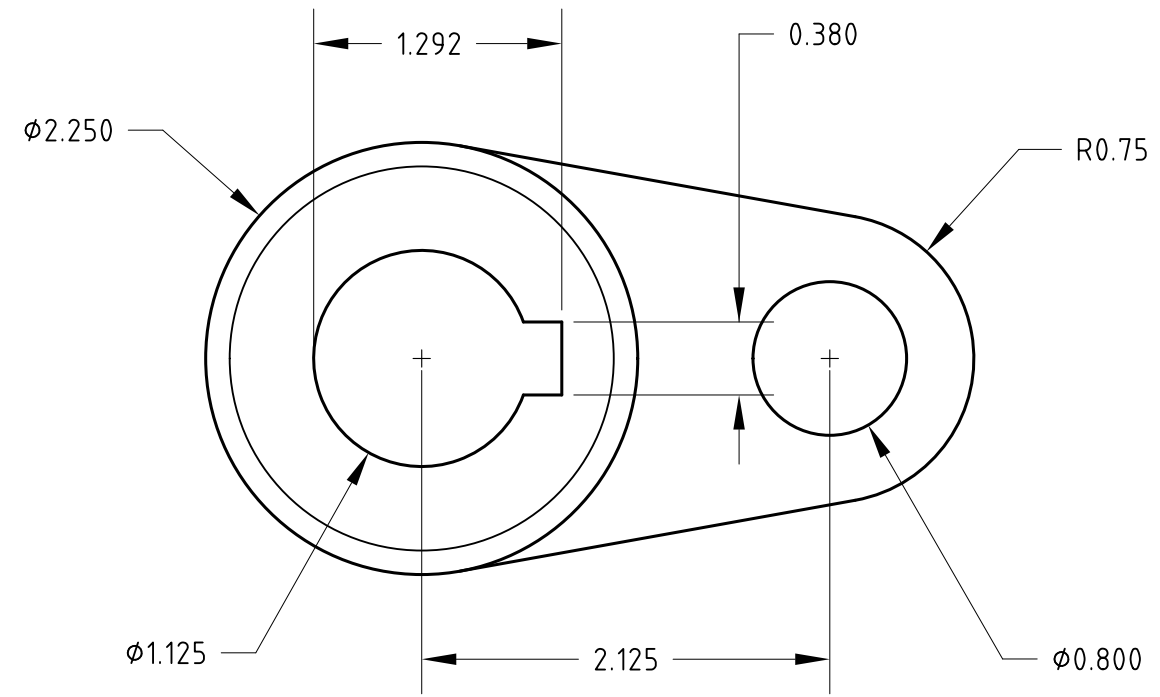
C

B

B

A

A



UNLESS OTHERWISE SPECIFIED,
DIMENSIONS ARE IN INCHES
.XX = ±.01
.XXX = ±.005 ANGULAR ∠ = ± 1°
.XXXX = ±.0005 FRACTIONAL = ±1/16

SURFACE FINISH 63

DO NOT SCALE DRAWING
BREAK ALL SHARP EDGES AND REMOVE BURRS

THIRD ANGLE PROJECTION

	NAME	DATE
DRAWN	FastwayJim	06/06/2016
CHECKED		
APPROVED		
MATERIAL	FINISH	

Part 1 Dwg			
TITLE		-----	
SIZE	DWG NO.	REV.	
B		-	
SCALE	WEIGHT	SHEET	1 of 1

4

3

2

1